



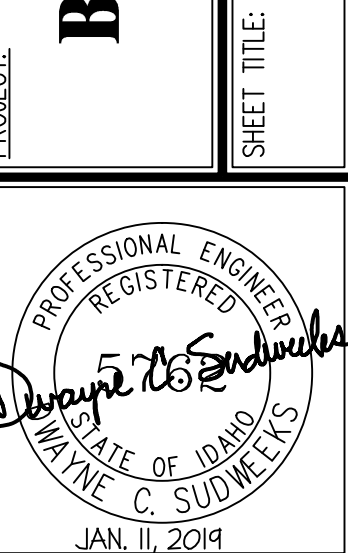
Engineered Systems Associates
Mechanical Engineers

Dwayne Sudweeks
 1355 East Center - Pocatello, Idaho 83201
 Phone: (208) 233-0501 Fax: (208) 233-0529 email: esa@engsystems.com

AIR CONDITIONING FOR:
BYU-IDAHO VILLAGE APARTMENTS
 REXBURG, IDAHO

MECHANICAL SCHEDULES & DETAILS

PROJECT:



DRWN. BY: SR
 OKD. BY: DCS
 JOB NO. 18069
 DATE: JAN. 2019

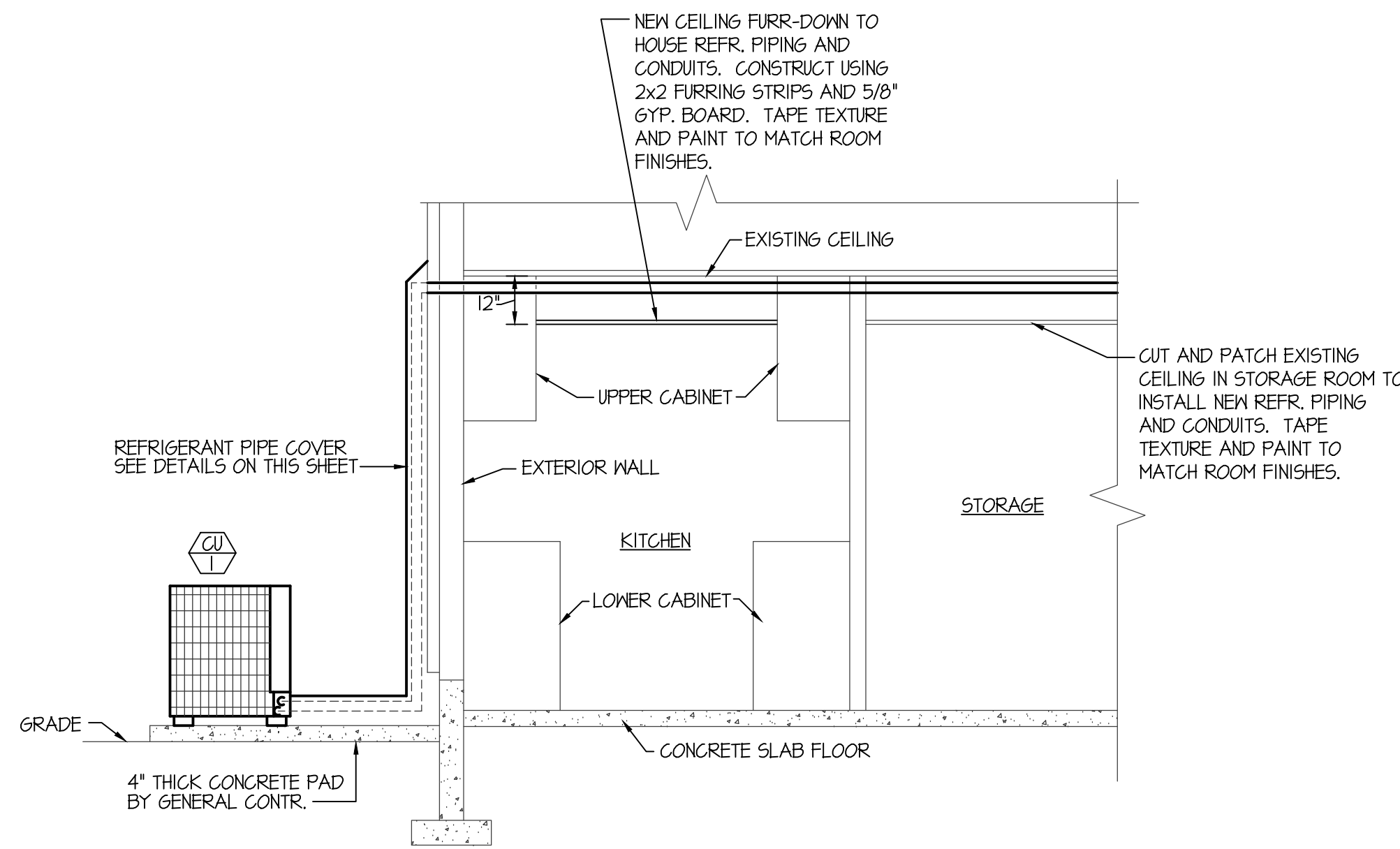
SHEET: **M2.0**
 OF: SIX

FURNACE AND DX COOLING COIL SCHEDULE

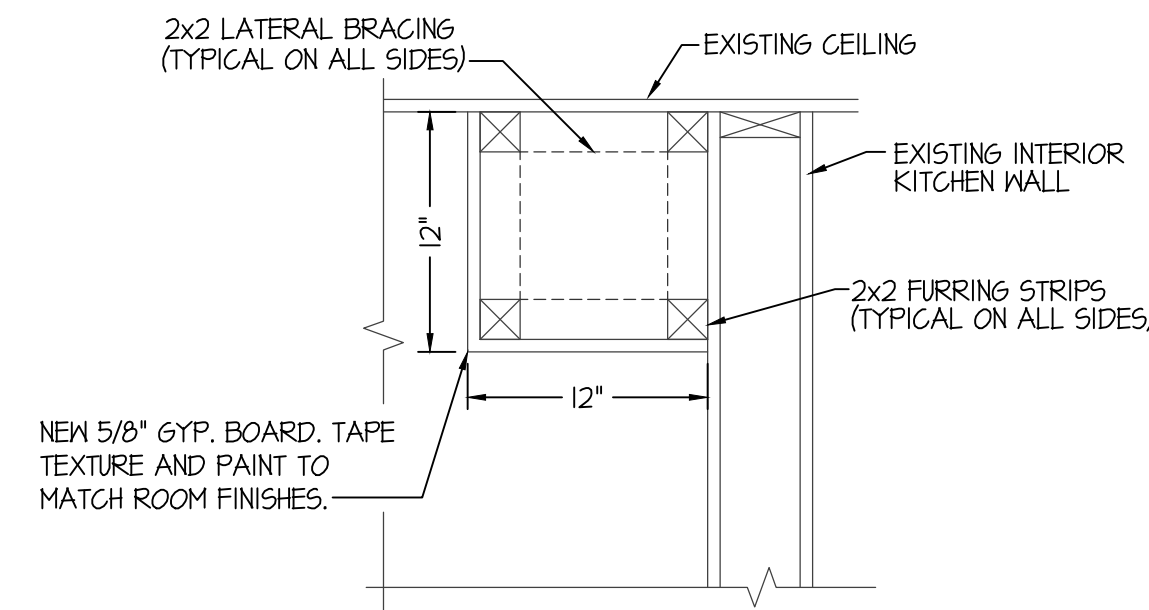
SYM.	TYPE	C.F.M.	SP _E	SPEED	H.P.	CHAR.	A.S.A.		E.A.T.	L.A.T.	GAS TYPE	DX COOLING COIL				PIPING SIZES				REMARKS			
							INPUT	OUTPUT				Ø ELEV.	B.T.U.	E.A.T.	L.A.T.	MAX. P.D.	LIQUID	SUCTION	G.D.		NAT GAS	INTAKE	EXHAUST
F1	UPFLOW	800	.60"	M-HIGH	1/3	120/60/1	60,000	51,000	46,740	65°F	105°F	NAT	24,000	75°F	55°F	25"	SEE C. UNIT SCHED.	SEE C. UNIT SCHED.	3/4"	3/4"	2" PVC	2" PVC	RHEEM R45PA-060-1B1M6A WITH FULLY CASED RFG241T5TAMCA R-410A DX COIL AND VERTICAL VENT TERMINAL ASSEMBLY.
F2	UPFLOW	1000	.60"	M-HIGH	1/3	120/60/1	60,000	51,000	46,740	65°F	105°F	NAT	30,000	75°F	55°F	25"	SEE C. UNIT SCHED.	SEE C. UNIT SCHED.	3/4"	3/4"	2" PVC	2" PVC	RHEEM R45PA-060-1B1M6A WITH FULLY CASED RFG361T5TAMCA R-410A DX COIL AND VERTICAL VENT TERMINAL ASSEMBLY.

CONDENSING UNIT SCHEDULE

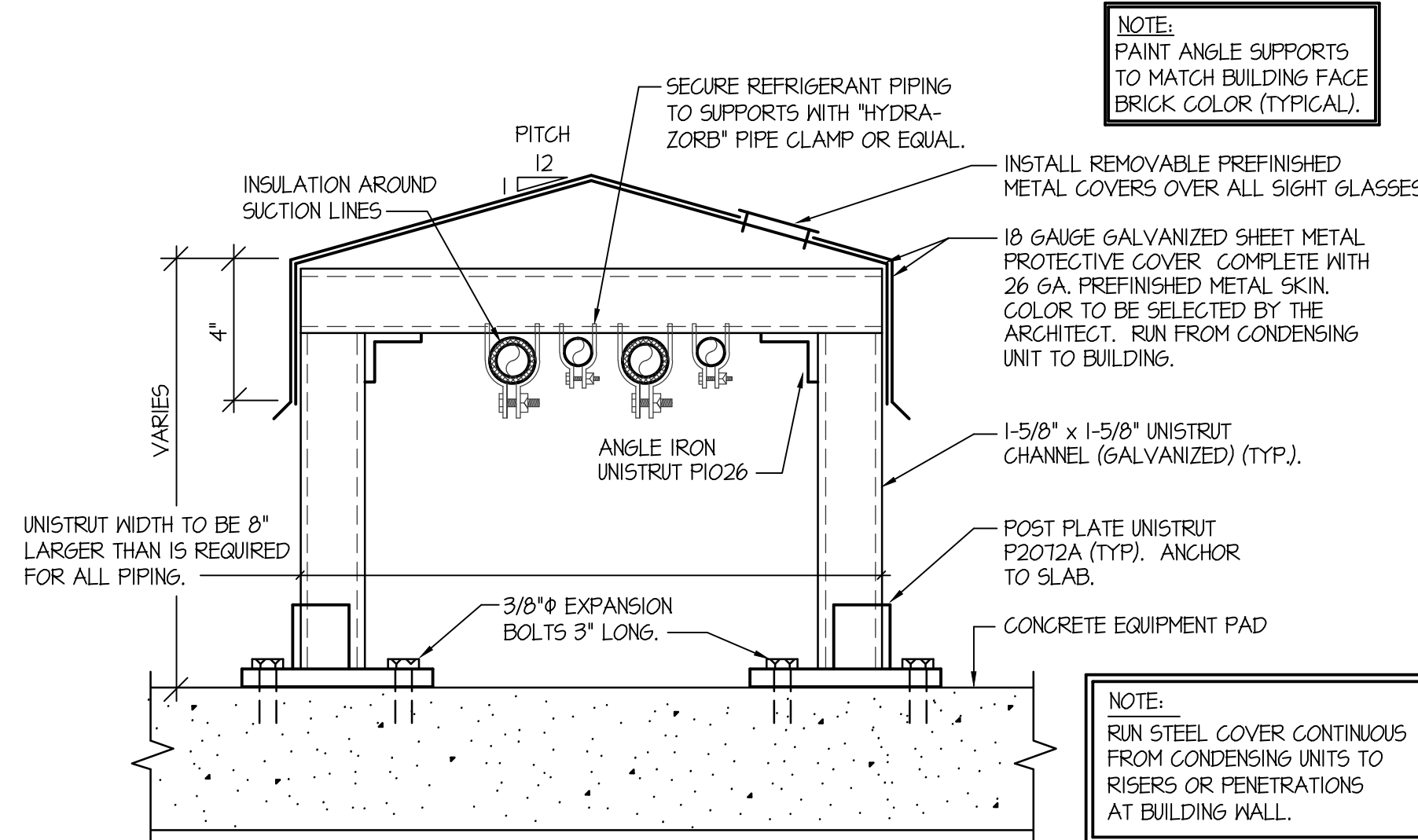
SYM.	BTU	EAT	CHAR.	MCA	MFS	SEER	REFR.	PIPE SIZING		REMARKS
								LIQUID	SUCTION	
CU1	24,000	84°F	240/60/1	15.0	30.0	13.0	R-410A	1/2"	1/8"	RHEEM MODEL RA1324AJINA WITH 0°F LOW AMBIENT HARD START KIT.
CU2	30,000	84°F	240/60/1	18.0	30.0	13.0	R-410A	3/8"	5/8"	RHEEM MODEL RA1330AJINA WITH 0°F LOW AMBIENT HARD START KIT.



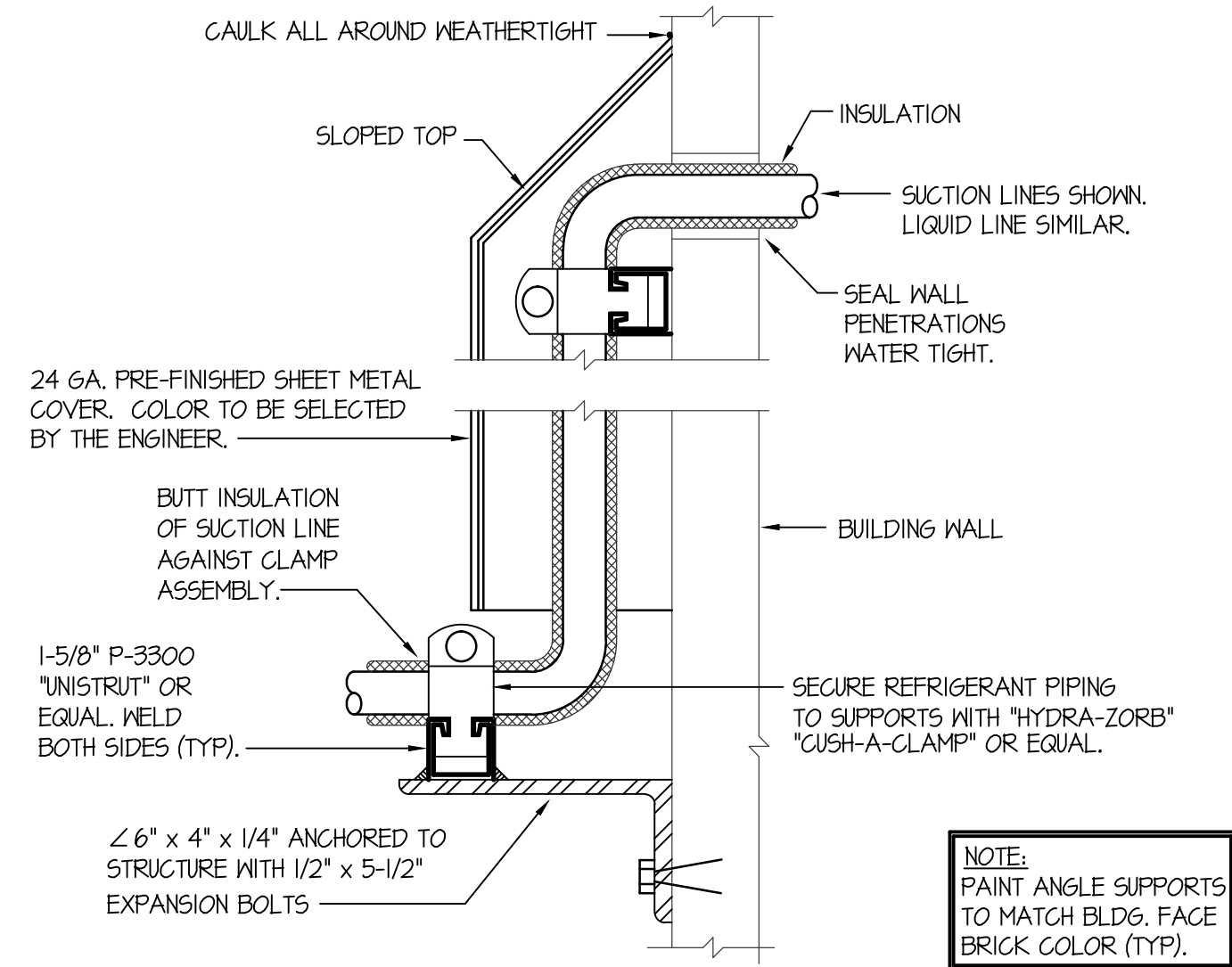
APT. CEILING FURR-DOWN DETAIL
 NO SCALE



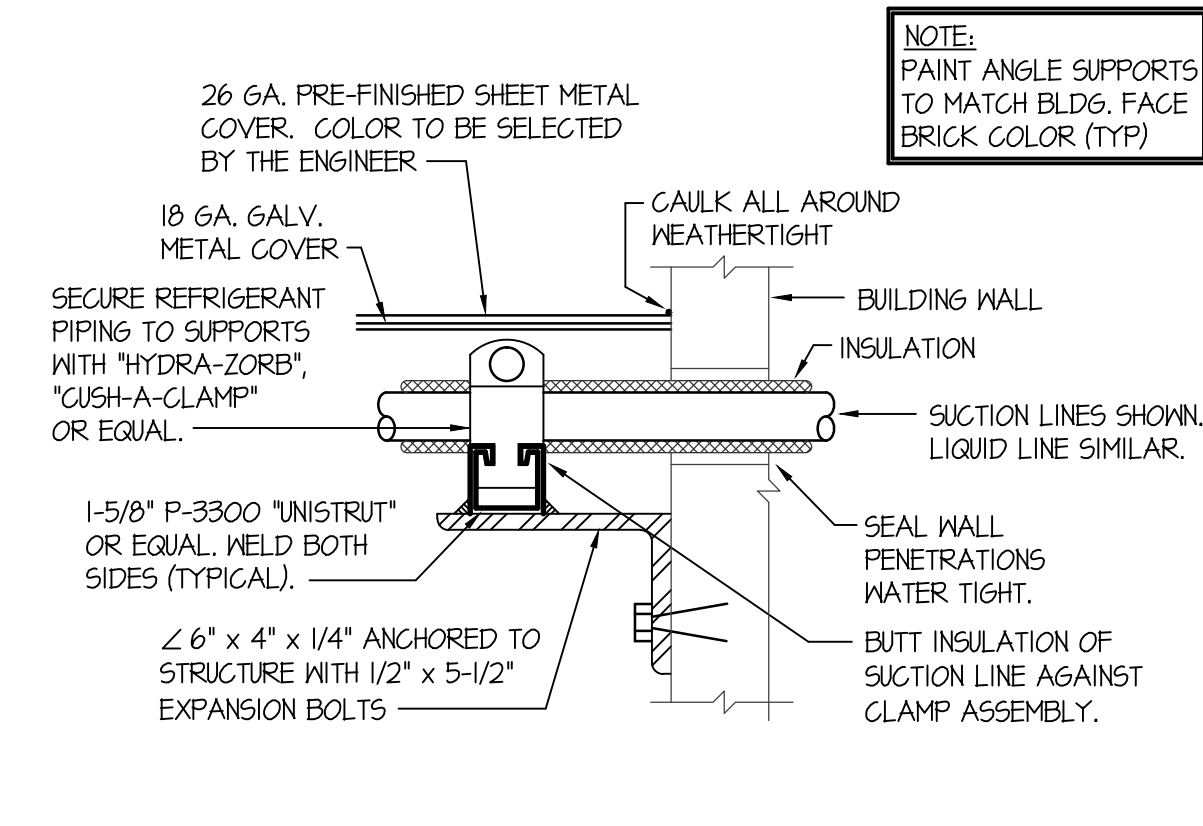
APT. CEILING FURR-DOWN CROSS SECTION
 NO SCALE



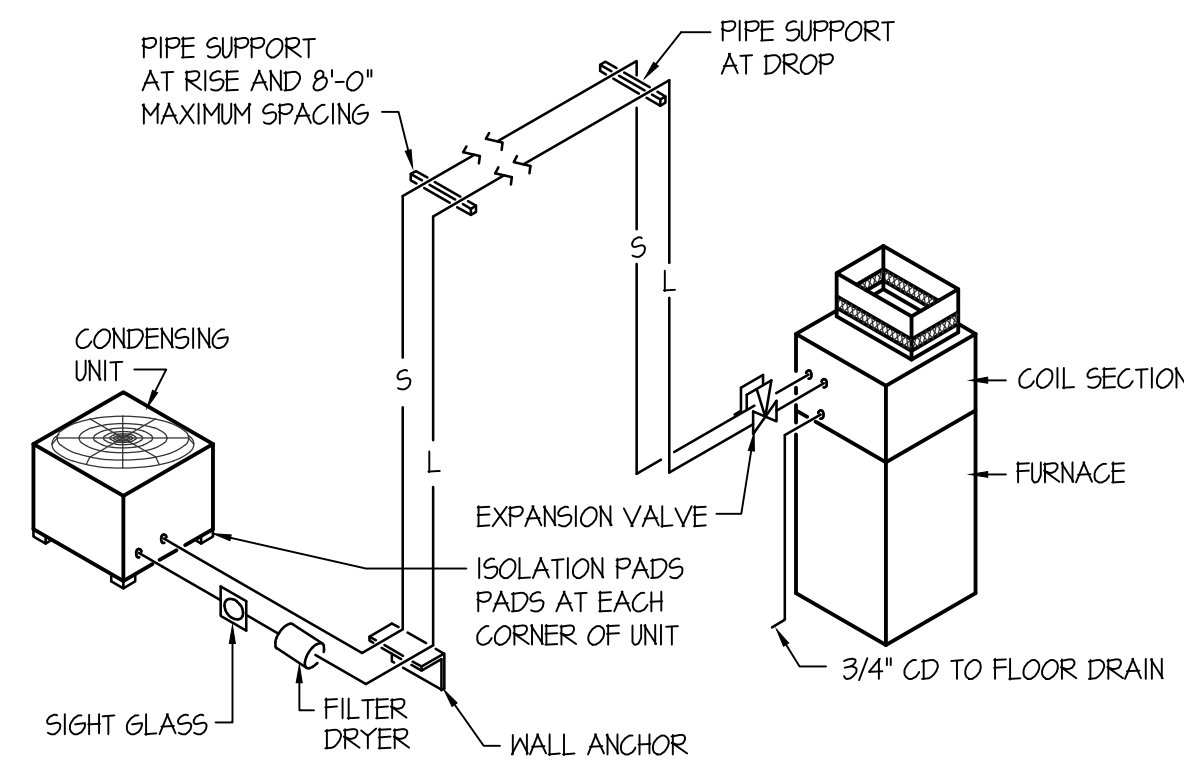
REFRIGERANT PIPE SUPPORT DETAIL
 NO SCALE



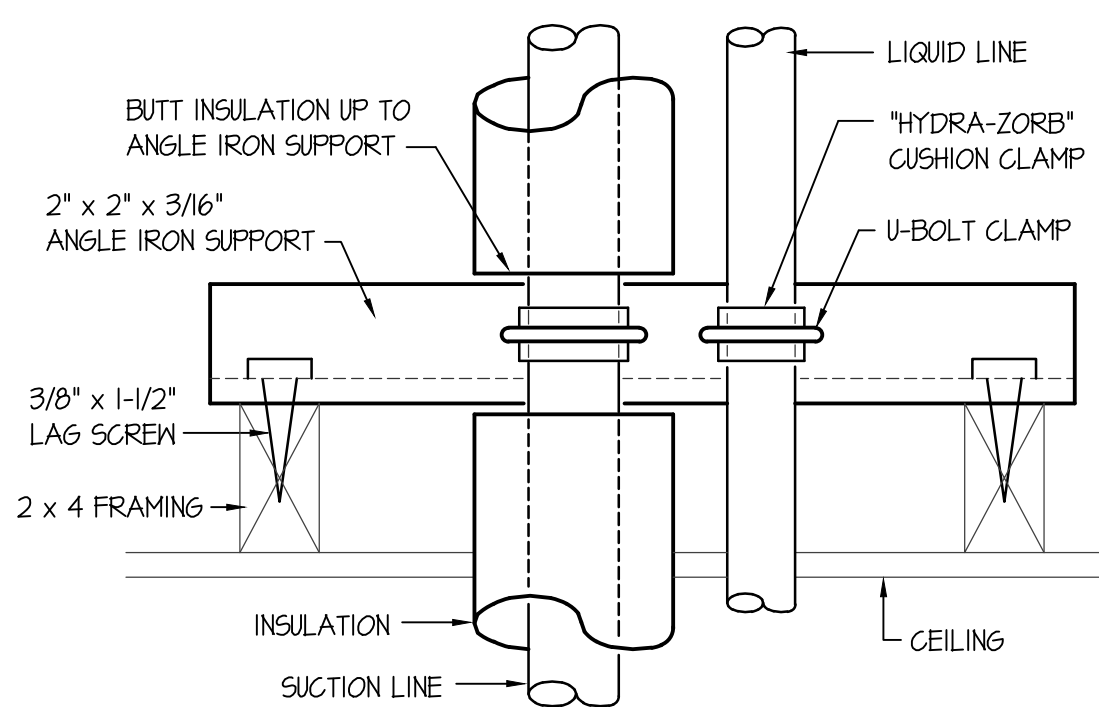
REFRIGERANT PIPING SUPPORT AT WALL
 NO SCALE



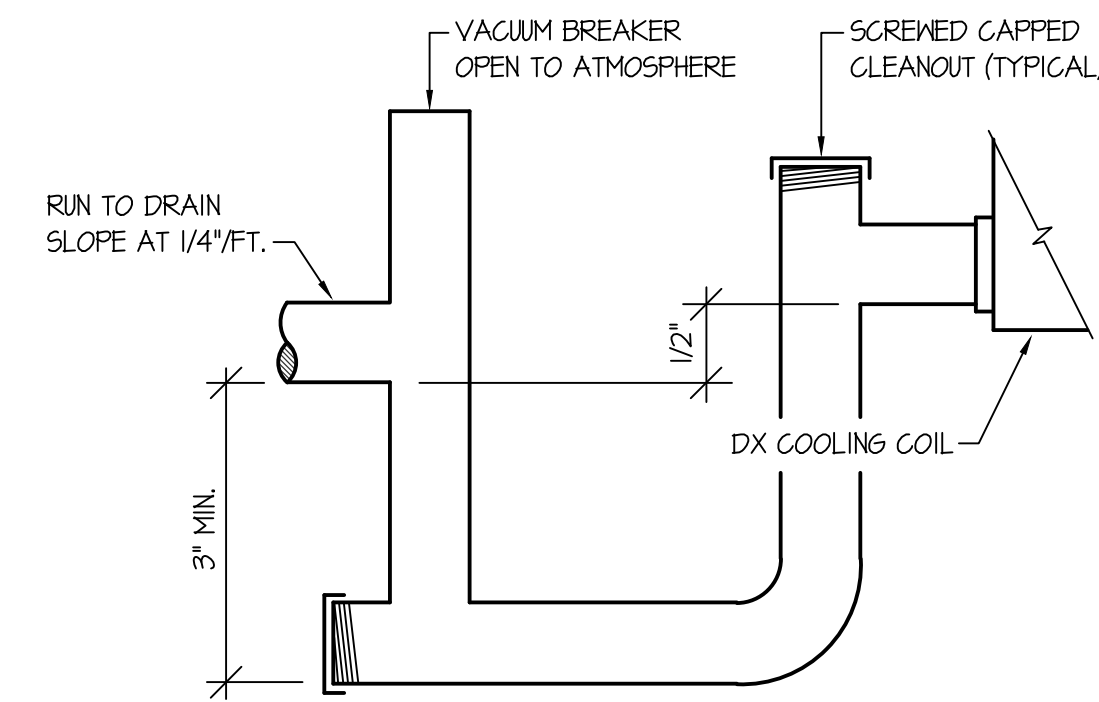
REFRIG. PIPING SUPPORT AT WALL
 NO SCALE



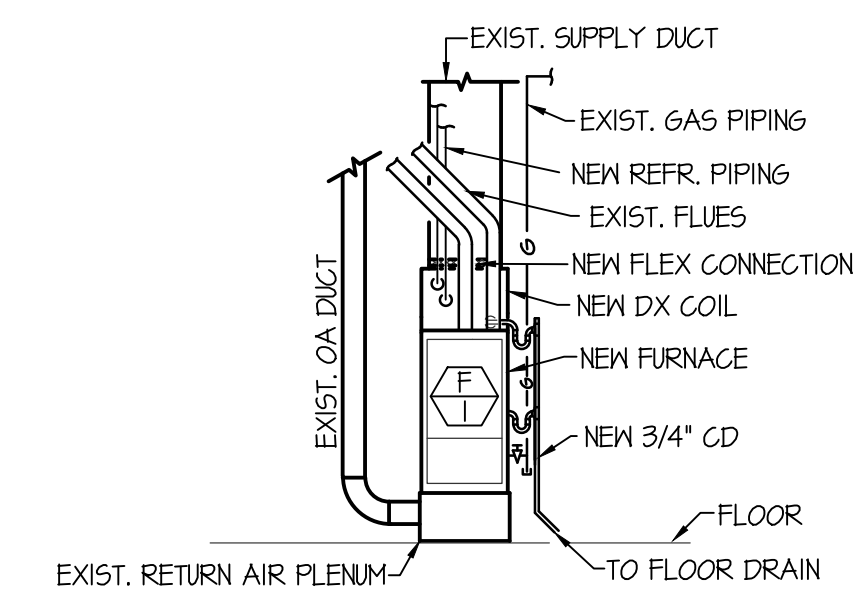
REFRIGERANT PIPING DIAGRAM
 NO SCALE (5 TON AND SMALLER)



REFRIG. PIPING SUPPORT AT CEILING
 NO SCALE



COOLING COIL CONDENSATE DRAIN DETAIL
 NO SCALE



TYPICAL UPFLOW FURNACE ELEVATION
 NO SCALE